

## Over Voltage and Over Current Protector

### Description

SA8200 can disconnect the systems from its output pin (OUT) in case wrong input operating conditions are detected. The system is positive overvoltage protected up to 36V.

The internal over voltage thresholds (OVLO) is 6.1V and internal over current thresholds (OCP) is 2.5A.

SA8200 also has internal over temperature protect (OTP) function and it can monitor chip temperature to protect the device.

The device is packaged in advanced full-Green Packaging (SOT23-6L).

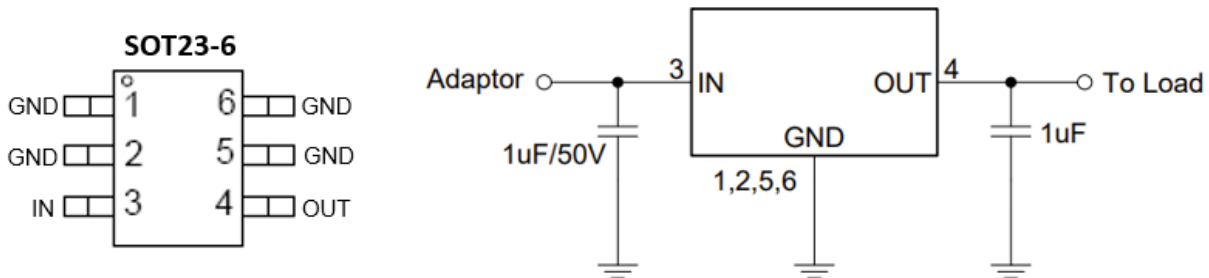
### Features

- Typical Ron: 110mΩ
- VIN Operating Range: 2.5 to 36V
- Internal Overvoltage Lockout: 6.1V
- Internal Overcurrent Lockout: 2.5A
- OVP Response time: < 500ns
- Output Discharge
- Startup Debounce Time: 8ms
- Output Power on time: 8ms
- Internal OTSD Protection
- SOT23-6 Package

### Applications

- GPS
- MID
- SLR Digital Cameras
- Industrial Handheld and Enterprise Equipment

## SA8200 Package & Simplified Schematic

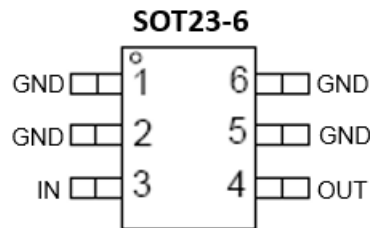


### Device Information

Part No.	Package	Quality	Operation Temp.
SA8200	SOT23-6	3000	-40~85 °C

## Over Voltage and Over Current Protector

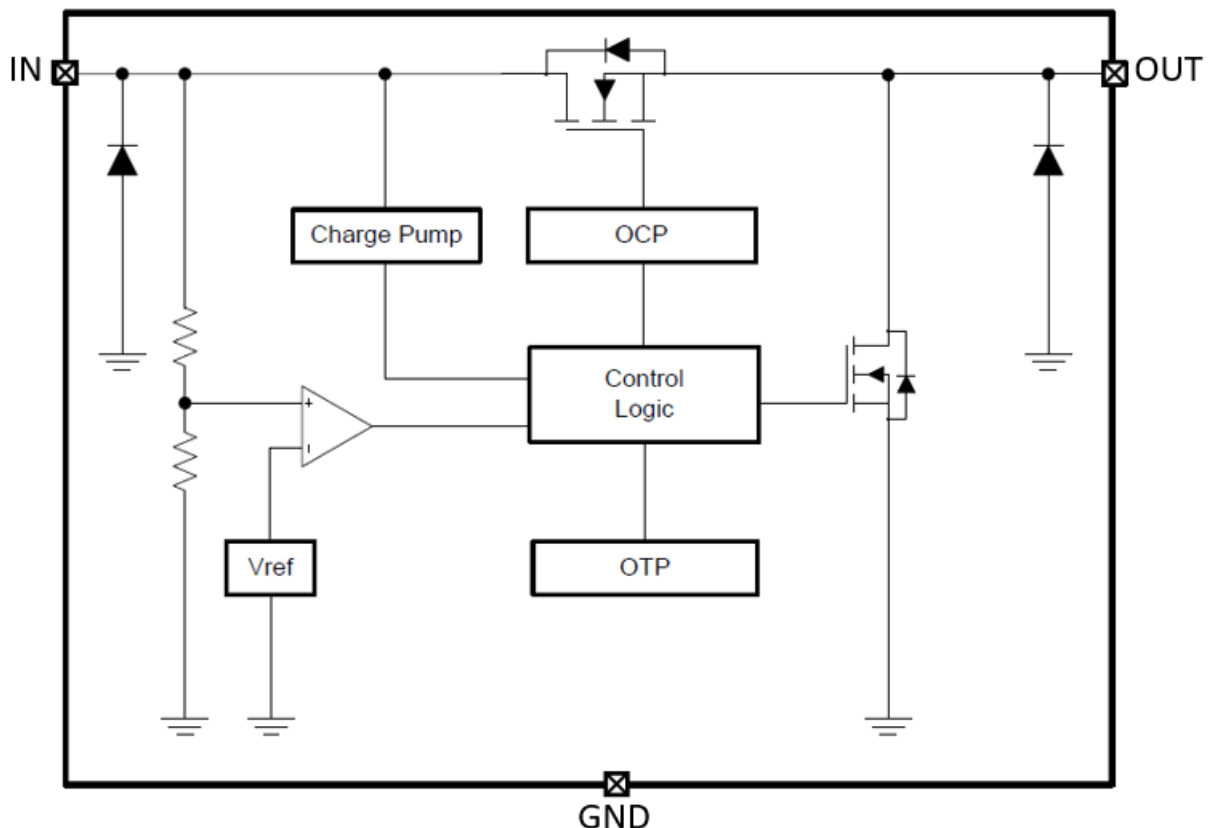
### Pin Descriptions



NAME	SOT23-6	TYPE	DESCRIPTION
GND	1,2,5,6	P	Power ground
IN	3	P	Input pin, connect to AC adaptor or VBUS. A 1uF low ESR ceramic capacitor or larger must be connected as close as to this pin. It is recommended to use 50V capacitor or according to application.
OUT	4	O	Output pin, Connect to load.

(1) Directions: I = input, O = output, OZ = tri-state output, OD = open-drain output, IO = input/output

### Function Block Diagram



## Over Voltage and Over Current Protector

### Absolute Maximum Ratings ( $T_A=25^{\circ}\text{C}$ )

Parameter		Min.	Max.	Unit
Input voltage (IN pin)	V <sub>IN</sub>	-0.3	36	V
Output voltage (OUT pin)	V <sub>OUT</sub>	-0.3	7.0	V
Power dissipation	P <sub>D</sub>		0.5	W
Thermal resistance	SOT23-6 $\theta_{JA}$	260		$^{\circ}\text{C}/\text{W}$
ESD(HBM)		2.0		kV
Operation temp.	T <sub>J</sub>	-40	150	$^{\circ}\text{C}$
Storage temp.	T <sub>stg</sub>	-65	150	$^{\circ}\text{C}$

### Recommended operating conditions ( $T_A=25^{\circ}\text{C}$ )

Parameter		Min.	Max.	Unit
Input voltage (IN pin)	V <sub>IN</sub>	3.0	28.0	V
Output voltage (OUT pin)	V <sub>OUT</sub>	0	5.5	V
Output Contiguous Current	I <sub>OUT</sub>	0	1.5*	A

Notes: \* Using 25mm<sup>2</sup> FR4 Signal layer PCB (1 oz) under VM=5.0V test.

## Over Voltage and Over Current Protector

### Electrical Characteristics ( $V_{IN}=5V$ , $T_A=25\text{ }^{\circ}C$ , $R_{LOAD}=20$ )

over operating free-air temperature range (unless otherwise noted)

Parameter		Test Condition	Min.	Typ.	Max.	Unit
<b>DC characteristics and Power-ON-Reset</b>						
VIN operating voltage	$V_{IN}$		2.5		36	V
VIN operating supply current	$I_{VIN\_ON}$	$V_{IN}=5V$		160	250	uA
VIN-to-VOUT ON resistance	$R_{ON}$	$V_{IN}=5V$ , $I_{OUT}=1.0A$		110		m $\Omega$
Output discharge resistance	$R_{DIS}$			500		$\Omega$
VIN undervoltage lockout	$V_{UVLO\_R}$	VIN rising		2.20		V
	$V_{UVLO\_F}$	VIN falling		1.90		V
Output power on time	$T_{ON}$	VIN = 0 -> 5V to output ON		8		ms
<b>Input Over-Voltage Protection (OVP)</b>						
VIN OVLO Protection	$V_{OVLO\_R}$		5.8	6.1	6.4	V
Input low level voltage	$V_{OVLO\_HYS}$			150		mV
OVP active time	$T_{OVP}$	VIN = 5 -> 10V			500	ns
OVP recovery time	$T_{ON\_OVP}$	VIN = 10 -> 5V to output ON		8		ms
<b>Input Over-Current-Protection (OCP)</b>						
OCP threshold	$I_{OCP}$		2.0			A
<b>Over-Temperature-Protection (OTP)</b>						
OTP threshold	$T_{OTP}$			165		$^{\circ}C$
OTP threshold hysteresis	$T_{OTP\_HYS}$			40		$^{\circ}C$

## Over Voltage and Over Current Protector

### Functional Description

The OVP switch with overvoltage protection feature a low 120m $\Omega$  (typical) on-resistance (RON) internal FET and protect low-voltage systems against voltage faults up to 36VDC. If the input voltage (VIN) exceeds 6.1V, or input current exceeds 2.5A, the internal FET is quickly turned off to prevent damage to the protected downstream components.

The internal FET turns off when the junction temperature exceeds +165°C (TYP.). The device exits thermal shutdown after the junction temperature cools by 40°C (TYP.).

### Input Capacitor

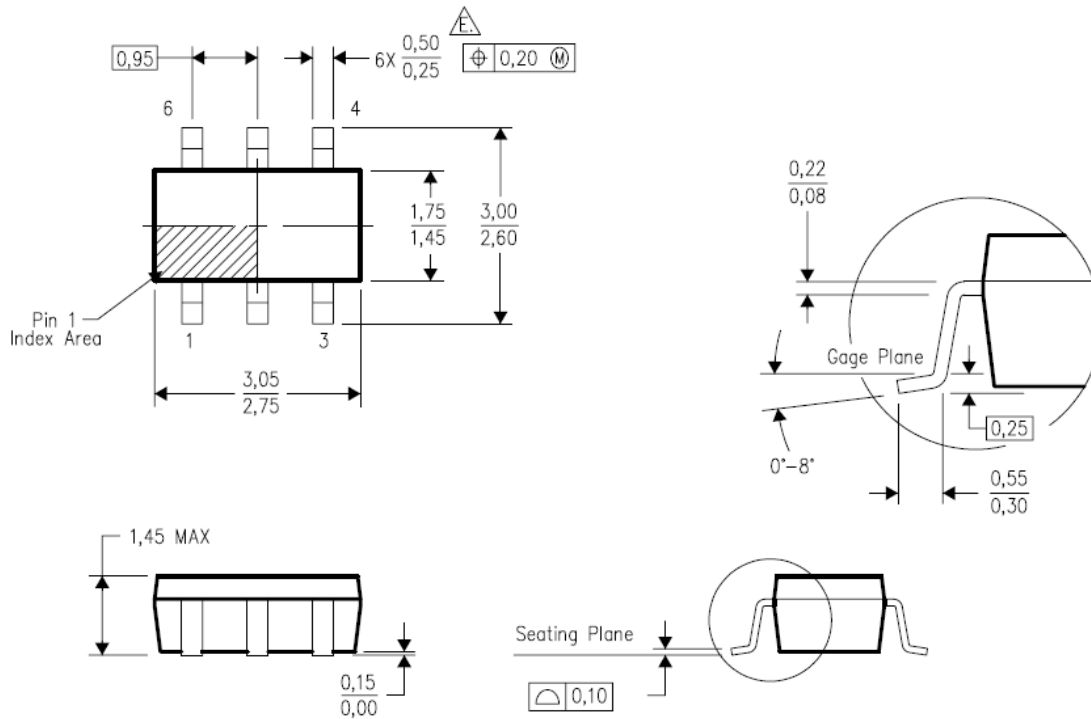
To limit the voltage drop on the input supply caused by transient inrush current when the switch turns on into a discharged load capacitor or short-circuit, a capacitor 1 $\mu$ F or larger must be placed between the VIN and GND pins.

### Output Capacitor

A 1 $\mu$ F or larger capacitor should be placed between the OUT and GND pins.

## Over Voltage and Over Current Protector

### Package SOT23-6



## Over Voltage and Over Current Protector

### **IMPORTANT NOTICE**

Syta Technology Corporation (Sytatek) reserves the right to make corrections, modifications, enhancements, improvements, and other changes to its products and to discontinue any product without notice at any time.

Sytatek cannot assume responsibility for use of any circuitry other than circuitry entirely embodied in a Sytatek product. No circuit patent licenses are implied.